

QX20P EVO AC S4 1150X540

MAXIMUM PERFORMANCE AND VERSATILITY



QX20P EVO EPT

The new QX is the perfect electric pallet truck suitable for heavy duty applications, ideal for transport over medium-long distances. State-of-the-art proven technology, powerful and reliable motors, excellent manoeuvrability thanks to the compact dimensions, make this products the most competitive solution for intensive logistic application, such as loading/unloading of lorries, even in multi shift uses.



HIGH PERFORMANCE

The QX20 P EVO is equipped with electric power steering, three phase AC motorwheel, and foldable platform with robust side arms. This combination together with high travelling speed makes the unit comfortable, efficient and easy to drive. The European made traction battery with 12 DIN elements grants long autonomy and long lifetime.



OPERATOR PLATFORM

The truck is equipped with cushioned, suspended, stand-on foldable platform very useful for long-distance material transport and intensive application.



SIDE ARMS

Foldable side arms provide the operator with maximum comfort and stability when manoeuvring.



ZAPI CONTROLLER

AC technology guarantees more energy efficiency and longer battery charging duration, thus reducing maintenance cost. Furthermore the absence of brushes in the motor, the simpler motor structure and the possibility of adjusting parameters increase system reliability.



TILLER EVOLUTION EPT

Fully integrated ergonomic technopolymer tiller system including fingertip throttle and fork controls, safety pushbutton, horn, turtle button, hourmeter, battery status indicator as standard equipment.



CURVE SPEED CONTROL

Variable maximum speed depending on the turning angle increases the manoeuvrability and the safety of the truck.



BATTERY COMPARTMENT QX

The separate battery compartment allows the installation of high capacity battery (375Ah). The battery inspection is easy and comfortable through the battery cover with hinges. The external high frequency battery charger can be easily plugged through Anderson connector.

AQUAMATIC SYSTEM

As option automatic battery refilling system can be supplied to increase productivity, lower operating expenses and prevent damage to the battery that can occur due to insufficient refilling.



MOTOR WHEEL

Lifting and traction motors have both a voltage of 24 Volt. The vertical assembly not only allows a more rapid access to all the parts but also minimizes room cluttering-up and wiring stress.



KEY SWITCH AND NOTE HOLDER

The machine is equipped with a key switch placed on an accessible and protected position. The robust battery cover integrates a clip holder for an easy fixing of documents and notes.



FORKS

Durable and long-lasting fork tips for easy and effortless entry/exit to/from pallet. The machine is offered as standard with heavy duty polyurethane tandem rollers.



EASY MAINTENANCE

Removing the strong cover allows to have the access to electric and hydraulic system as to the motorwheel and stabilizing wheels.



BACKREST (OPTION)

Load backrest accessory to guarantee total safety during work, preventing loads falling on operator side.



Description

Lift			Electric
1.3 Drive			Electric
1.4 Operator type			Pedestrian/ Stand-On Platform
1.5 Load capacity	Q	Kg	2000
1.6 Load centre distance	c	mm	600
1.8 Load axle to end forks	x	mm	982
1.9 Wheel base	y	mm	1418

Weights

2.1 Service weight		Kg	500
2.1 Service weight (battery included)		Kg	785
2.2 Axle load, laden rear		Kg	1614
2.2 Axle load, laden front		Kg	1016
2.3 Axle load, unladen front		Kg	516
2.3 Axle load, unladen rear		Kg	114

Tyres/Chassis

3.1 Tyres: front wheels			POLY.C
3.1 Tyres: stabilizers wheels - front			POLY.C
3.1 Tyres: rear wheels			POLY
3.2 Tyre size: Steering wheels - Width		mm	75
3.2 Tyre size: Steering wheels - Diameter		mm	230
3.3 Tyre size: Load rollers - Diameter		mm	85
3.3 Tyre size: Load rollers - Width		mm	70
3.4 Tyre size: stabilizers wheels front - Diameter		mm	130
3.4 Tyre size: stabilizers wheels front - Width		mm	60
3.5 Tyre size: rear wheels - Q.ty (X=driven)		nr	1x+2
3.5 Tyre size: front wheels - Q.ty (X=driven)		nr	4
3.6 Tread, front	b10	mm	510
3.7 Tread, rear	b11	mm	370

Dimensions

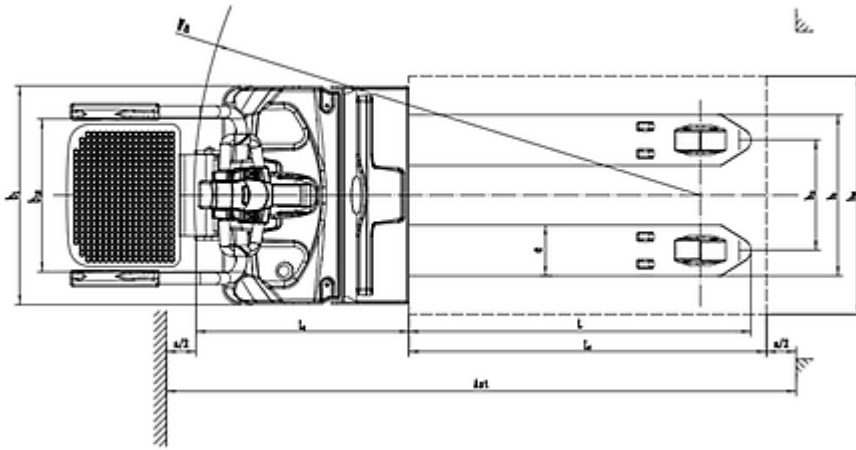
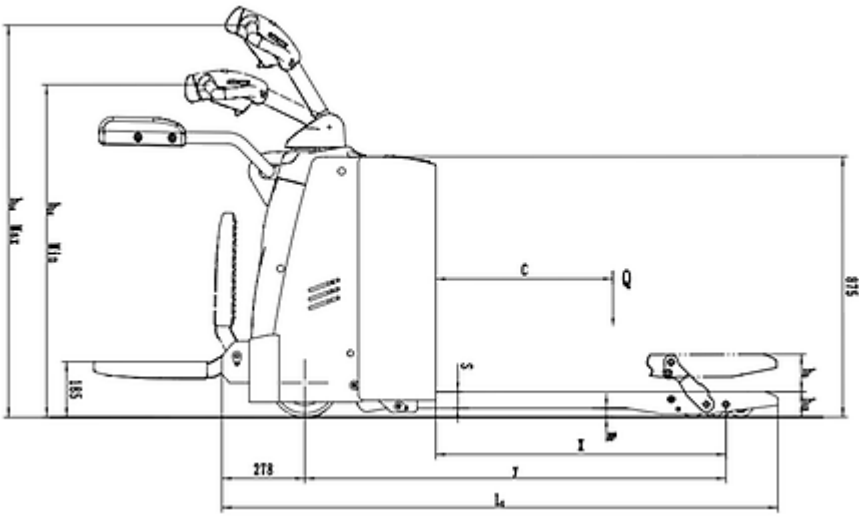
4.4 Lift height	h3 mm	125
4.9 Height of tiller in drive position max	h14 mm	1470
4.9 Height of tiller in drive position min	h14 mm	1150
4.15 Height, lowered	h13 mm	85
4.19 Overall length with lowered platform	l1 mm	2287
4.19 Overall length with raised platform	l1 mm	1860
4.20 Length to face of forks with lowered platform	l2 mm	1137
4.20 Length to face of forks with raised platform	l2 mm	710
4.21 Overall width	b1 mm	730
4.22 Fork dimensions - Thickness	s mm	55
4.22 Fork dimensions - Width	e mm	170
4.22 Fork dimensions - Length	l mm	1150
4.25 Distance between fork arms	b5 mm	540
4.32 Ground clearance, centre of wheelbase	m2 mm	30
4.34 Aisle width with lowered platform	Ast mm	2783
4.34 Aisle width with raised platform	Ast mm	2356
4.35 Turning radius with lowered platform	Wa mm	2127
4.35 Turning radius with raised platform	Wa mm	1700

Performance data

5.1 Travel speed laden	Km/h	9
5.1 Travel speed unladen	Km/h	12
5.2 Lifting speed laden	m/s	0.035
5.2 Lifting speed unladen	m/s	0.044
5.3 Lowering speed laden	m/s	0.043
5.3 Lowering speed unladen	m/s	0.032
5.8 Max gradeability laden	%	8
5.8 Max gradeability unladen	%	16
5.10 Service brake		Electric

Electric motors

6.1 Drive motor power	kW	2.5
6.2 Lift motor power	kW	2.2
Battery Type	Tipo	Traction (C5)
6.4 Battery voltage	V	24
6.4 Battery capacity, Min	Ah	375
6.4 Battery capacity, Max	Ah	375
6.5 Battery weight, Min	Kg	300
6.5 Battery weight, Max	Kg	300
8.4 Sound level at driver's ear	dB(A)	74



The information is aligned with the Data file at the time of download. Printed on 02/10/2020 (ID 10744)

©2019 | PR INDUSTRIAL s.r.l. | All rights reserved | Image shown may not reflect actual package. Specifications subject to change without notice

