

CX12 S2 800X520 EVO

POWERFUL, COMPACT, MANOEUVRABLE



CX12

The CX12 electric pallet truck is suitable for carrying loads on smooth or paved surfaces. Its small size and turning radius make it the ideal tool to work with in confined spaces, such as lorries or narrow aisles.



EVO

EVO version is specifically designed to provide higher performance, reliability and speed through the innovative powerful three-phase AC technology, while reducing noise emission and overheating of the motor wheel.



AC TECHNOLOGY CONTROLLER

Powerful AC drive motor offering many advantages and more efficiency: higher level of duty, performance and reliability.



EVO BATTERY PACK

Strong ABS cover with storage tray on top, easily removable for a simple access to batteries and key components speeding up maintenance operations.

Schuko plug with spiral cable available for an easy charging.



MANOEUVRABILITY

Thanks to the B1 width, which is equal to the fork gauge, and the L2 measurement of 360 mm, the CX12 electronic pallet truck is the ideal tool for the handling of pallets on lorries, in supermarket aisles and any application where space is limited. This machine is the best configuration in its category thanks to the frame width, in-service weight and turning radius, thus guaranteeing great manoeuvrability and compactness.



TILLER EVOLUTION EPT

Fully integrated ergonomic technopolymer tiller system including fingertip throttle and fork controls, safety pushbutton, horn, turtle button, hourmeter, battery status indicator as standard equipment.



TURTLE FUNCTION

Ergonomic dedicated button as standard for moving the unit in tight areas with the handle in vertical position while remaining almost within the profile of the machine.



EMERGENCY PUSH BUTTON

Very practical system with key and emergency function in the same button. The key is removable and pocket-sized when the operator leaves the machine unattended.



ROLLERS

Standard configuration provided with single polyurethane rollers. Available tandem rollers as optional.



Description

1.1 Manufacturer	LIFTER		
Lift	ELECTRIC		
1.3 Drive	ELECTRIC		
1.4 Operator type	Pedestrian		
1.5 Load capacity	Q	Kg	1200
1.6 Load centre distance	c	mm	400
1.8 Load axle to end forks	x	mm	536
1.9 Wheel base	y	mm	769

Weights

2.1 Service weight (battery included)	Kg	160
2.2 Axle load, laden rear	Kg	1017
2.2 Axle load, laden front	Kg	343
2.3 Axle load, unladen front	Kg	131
2.3 Axle load, unladen rear	Kg	29

Tyres/Chassis

3.1 Tyres: front wheels	RUBBER		
3.1 Tyres: stabilizers wheels - front	POLY		
3.1 Tyres: rear wheels	POLY		
3.2 Tyre size: Steering wheels - Width	mm	50	
3.2 Tyre size: Steering wheels - Diameter	mm	186	
3.3 Tyre size: Load rollers - Diameter	mm	82	
3.3 Tyre size: Load rollers - Width	mm	82	
3.4 Tyre size: stabilizers wheels front - Diameter	mm	75	
3.4 Tyre size: stabilizers wheels front - Width	mm	25	
3.5 Tyre size: rear wheels - Q.ty (X=driven)	nr	2	
3.5 Tyre size: front wheels - Q.ty (X=driven)	nr	1x	
3.6 Tread, front	b10 mm	369	
3.7 Tread, rear	b11 mm	371	

Dimensions

4.4 Lift height	h3 mm	115
4.9 Height of tiller in drive position max	h14 mm	1345
4.9 Height of tiller in drive position min	h14 mm	885
4.15 Height, lowered	h13 mm	85
4.19 Overall length	l1 mm	1160
4.20 Length to face of forks	l2 mm	360
4.21 Overall width	b1 mm	520
4.22 Fork dimensions - Thickness	s mm	55
4.22 Fork dimensions - Width	e mm	150
4.22 Fork dimensions - Length	l mm	800
4.25 Distance between fork arms	b5 mm	520
4.32 Ground clearance, centre of wheelbase	m2 mm	30
4.34 Aisle width	Ast mm	1382
4.35 Turning radius	Wa mm	918

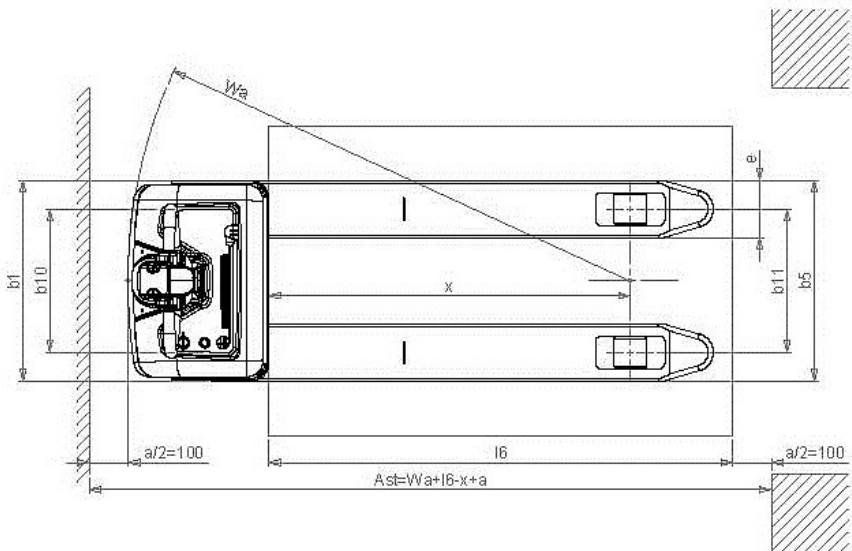
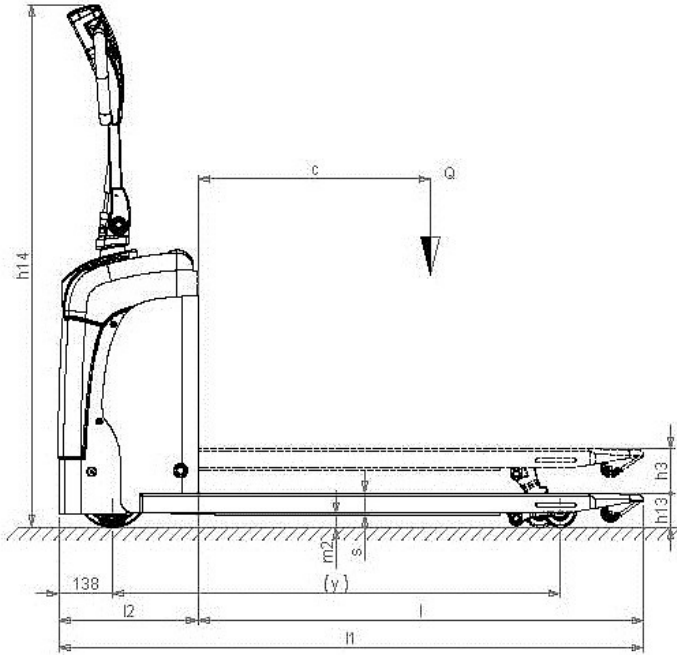
Performance data

5.1 Travel speed laden	Km/h	5.0
5.1 Travel speed unladen	Km/h	5.0
5.2 Lifting speed laden	m/s	0.03
5.2 Lifting speed unladen	m/s	0.04
5.3 Lowering speed laden	m/s	0.05
5.3 Lowering speed unladen	m/s	0.02
5.8 Max gradeability laden	%	10
5.8 Max gradeability unladen	%	25
5.10 Service brake		Electric

Electric motors

6.1 Drive motor power	kW	0.35
6.2 Lift motor power	kW	0.4
Battery Type	Tipo	Traction (C5)
6.4 Battery voltage	V	24
6.4 Battery capacity, Min	Ah	45
6.4 Battery capacity, Max	Ah	45
6.5 Battery weight, Min	Kg	25
6.5 Battery weight, Max	Kg	40
6.6 Energy consumption according to VDI cycle	kWh/h	0.28
8.4 Sound level at driver's ear	dB(A)	67

*Integrated battery and battery charger



The information is aligned with the Data file at the time of download. Printed on 02/10/2020 (ID 10471)

©2019 | PR INDUSTRIAL s.r.l. | All rights reserved | Image shown may not reflect actual package. Specifications subject to change without notice

